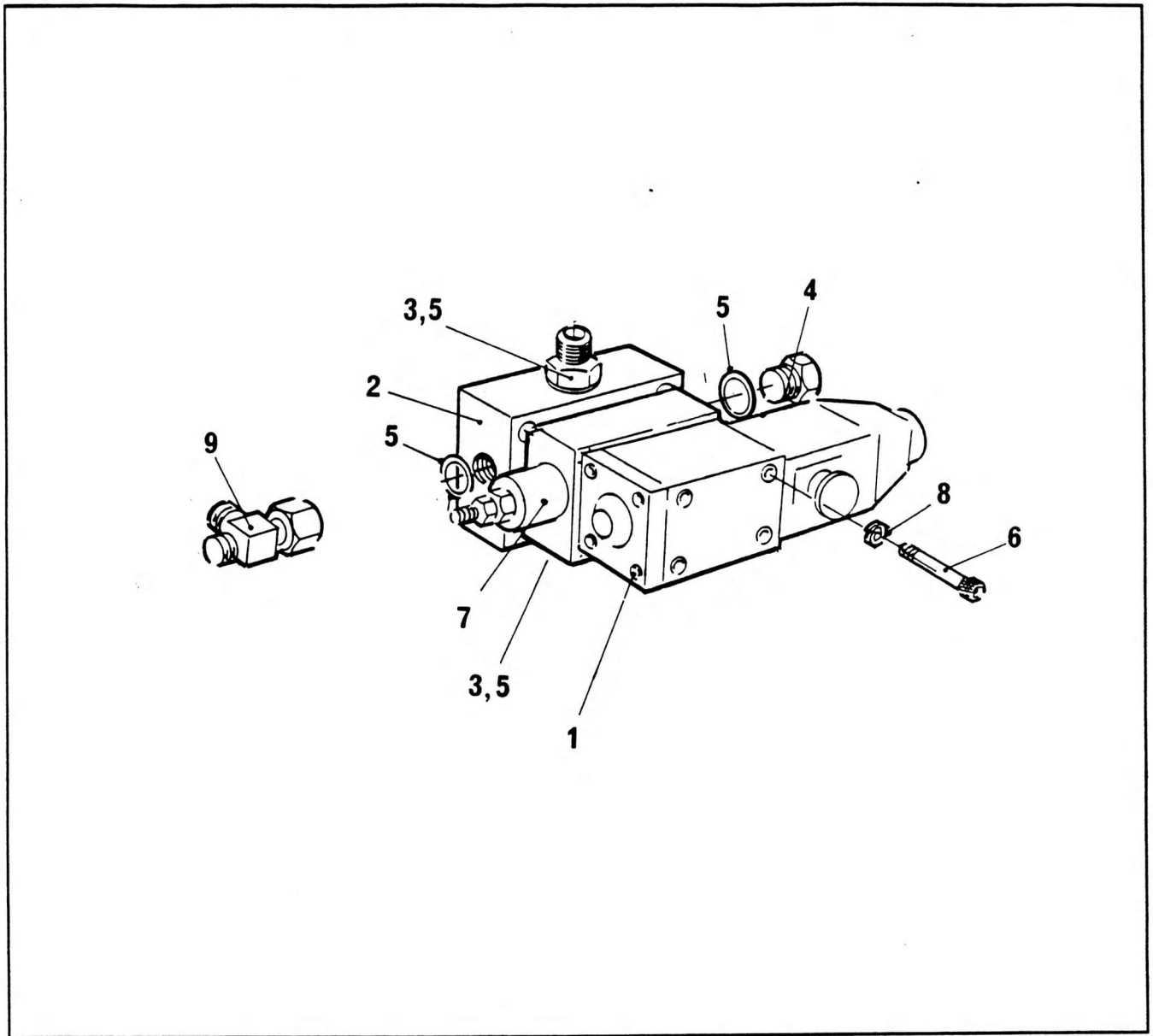


SLEWING CONTROL VALVE ASSEMBLY



NO.	PART NO.	QTY.	DESCRIPTION	NO.	PART NO.	QTY.	DESCRIPTION
1 +	8353988	1	Control Valve				
2	8592964	1	Solenoid Subplate				
3	7-443-991181	2	Adaptor $\frac{3}{8}$ " BSP x $\frac{1}{4}$ "				
4	7-709-990044	1	Plug $\frac{3}{8}$ " BSP				
5	7355204	4	Bonded Seal $\frac{3}{8}$ " BSP				
6	7097613	4	Screw Socket Head Cap M5 x 35 Long				
7 +	7-926-990424	1	Pressure Reducing Valve (Incl. Screws)				
8	7067217	4	Washer Spring M5				
9	7-447-040434	1	Tee				

+ See further breakdown in this group

6-926-990393  
Issue No. 03